

Assembly Instructions

HYGINITY Sensor Clean&Care Dispenser 500

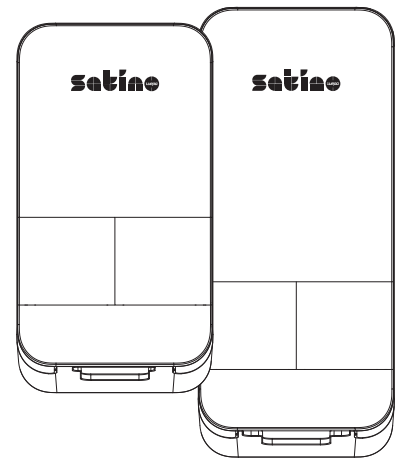
Item No.: 333432 / 333433

HYGINITY Sensor Clean&Care Spender 500
 HYGINITY Sensor Clean&Care dispenser 500
 HYGINITY Distributeur clean&care Sensor 500 mL
 HYGINITY Dozownik clean&care sensor 500

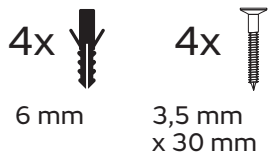
HYGINITY Sensor Clean&Care Dispenser 1,000

Item No.: 333436 / 333437

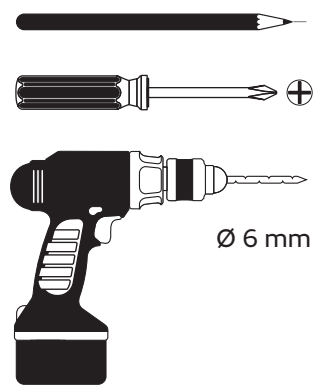
HYGINITY Sensor Clean&Care Spender 1.000
 HYGINITY Sensor Clean&Care dispenser 1.000
 HYGINITY Distributeur clean&care Sensor 1.000 mL
 HYGINITY Dozownik clean&care sensor 1.000



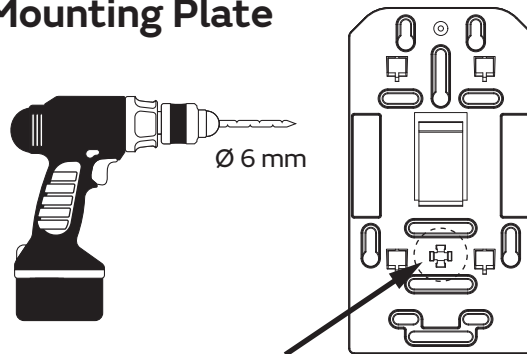
Supplied



Needed tools

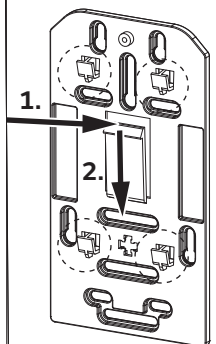


Mounting Plate



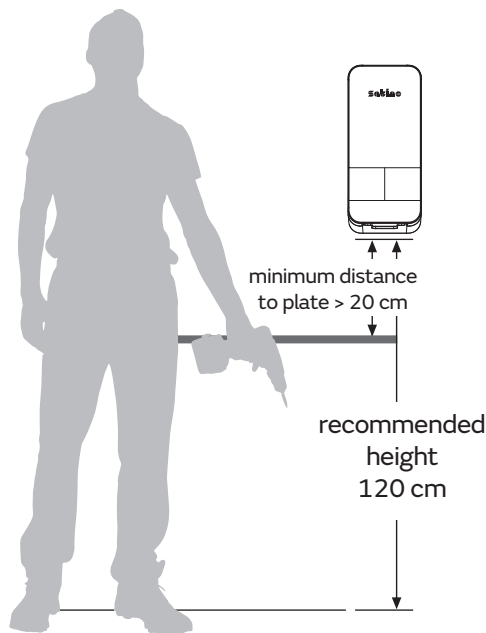
Align with integrated spirit level,
mark by pen + drill holes

Attaching
Dispenser to
Mounting Plate



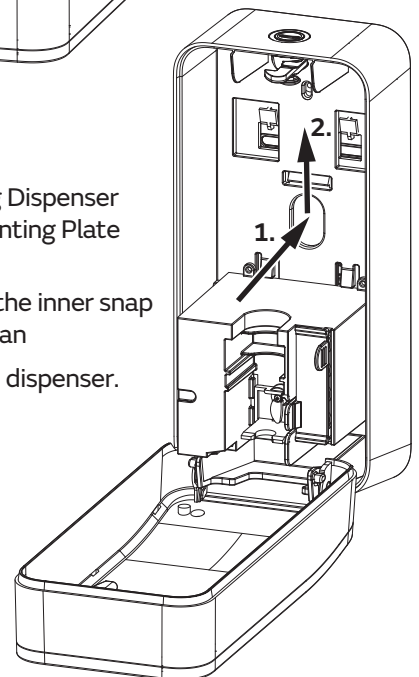
1. Hang up and
2. snap in

Preferred distance



Removing Dispenser
from Mounting Plate

1. Press the inner snap and than
2. lift the dispenser.



HYGINITY
Sensor Clean&Care
Dispenser 500

Item No.:
333432
333433

Suitable for
SF2

HYGINITY
Sensor Clean&Care
Dispenser 1,000

Item No.:
333436
333437

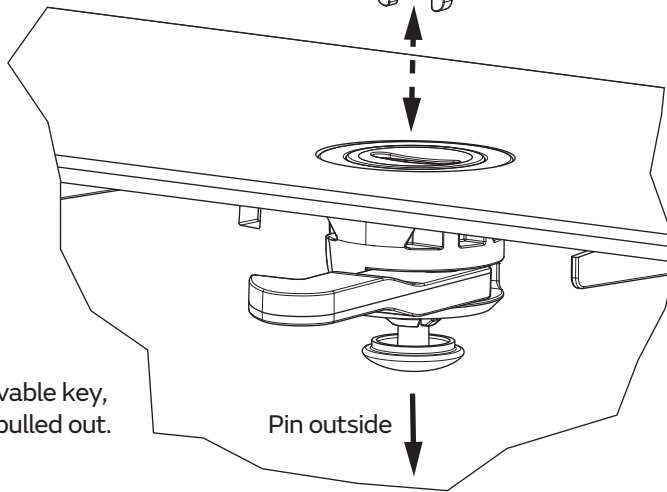
Suitable for
SF1

HYGINITY
Sensor Clean&Care Dispenser
500 and 1,000

Item No.: **333432 / 333433** and
 Item No.: **333436 / 333437**

Key options

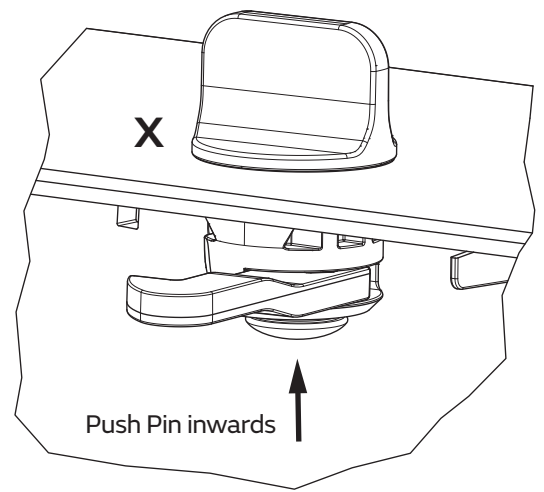
Removable key



To use the removable key, the pin must be pulled out.

If you want to use the permanent key, press the pin in after you have inserted the key.

Permanent Key



Exchange the bag and ensure the power supply

Please place **original** Satino liquid soap, foam soap, foam soap free, disinfection or toilet seat cleaner (SF2 for the 500ml or SF1 for the 1,000ml version) in the dispenser.

Operating state

- ▶ **Red light permanent:**
Battery charge insufficient
- ▶ **Red light flashing:**
Battery charge critical
- ▶ **Blue light:**
Cover open
- ▶ **White light:**
Dispenser active

Power supply

Optional: in USB-C mode

USB-C mode
 5V / 2000 mA

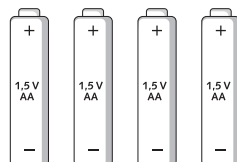


USB-C cable (Item No.: 333399) and
USB-C adapter (Item No.: 333398)
 are available in the spare parts shop

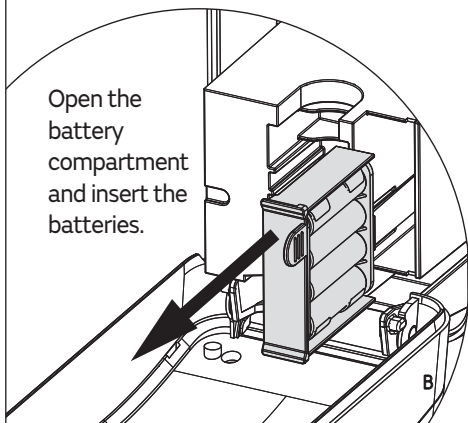
www.satino-spareparts.shop

Battery use

4x Only use type No.:
 1,5 V Type AA



Open the battery compartment and insert the batteries.



Insert the bag into the dispenser from the front. Pay attention to the height limit and the guides.

Plug in for USB-C on back of dispenser

